

checklist – MX



Company Address	Name WWW.
--------------------	--------------------------

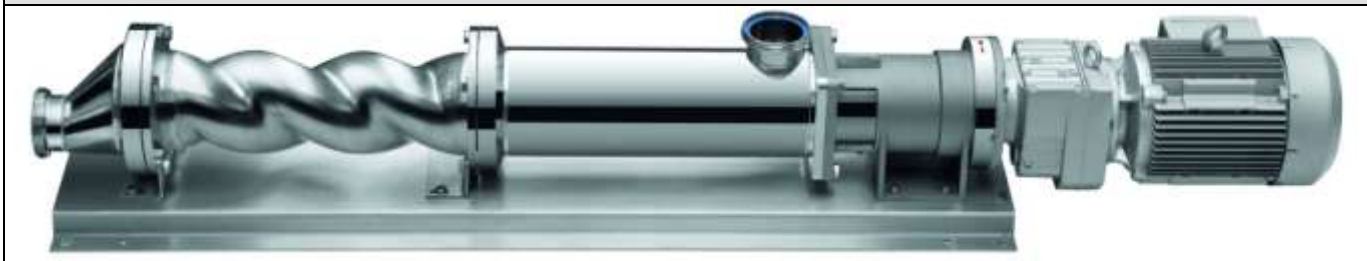
Techn. Data

dosing pump <input type="checkbox"/>	transferring pump <input type="checkbox"/>
Flow rate (U. S. GPH) _____	<input type="checkbox"/> fix <input type="checkbox"/> variable <input type="checkbox"/> mechanical adjustment <input type="checkbox"/> frequency converter frequency range _____ <input type="checkbox"/> extern <input type="checkbox"/> included
medium	
viscosity (cP)	
density (kg/dm ³)	
temperature (°F)	
concentration (%)	
particle size (inches)	
pressure discharge (PSI)	
pressure suction (PSI)	
Cleaning	<input type="checkbox"/> CIP <input type="checkbox"/> SIP <input type="checkbox"/> disassembly temperature _____ medium _____
seal	<input type="checkbox"/> mechanical seal <input type="checkbox"/> single <input type="checkbox"/> double with quench <input type="checkbox"/> double with closing pressure <input type="checkbox"/> packing
motor	
voltage	
frequency	
protection	
Iso-class	
standards and regulations	

checklist – MX



Suction version

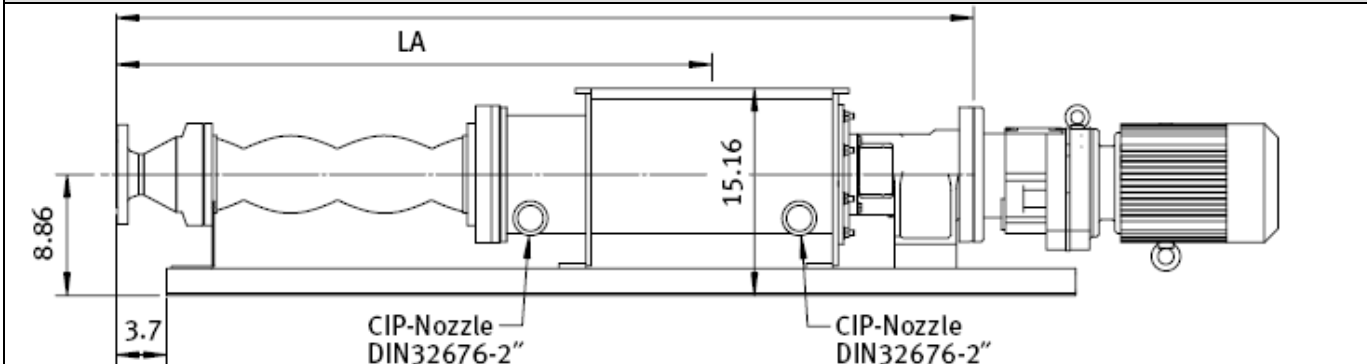


direction of rotation	<input type="checkbox"/> left handside	<input type="checkbox"/> right handside
arrangement	<input type="checkbox"/> horizontal	<input type="checkbox"/> vertical
connections	<input type="checkbox"/> DIN 11851	<input type="checkbox"/> standard size
	<input type="checkbox"/> EN 1092	special size _____ (suction side) _____ (discharge side)

accessoires

temperature control equipment	<input type="checkbox"/> yes	<input type="checkbox"/> no
pressure safty device	<input type="checkbox"/> yes	<input type="checkbox"/> no
heating	<input type="checkbox"/> yes	<input type="checkbox"/> no
	<input type="checkbox"/> suction housing	<input type="checkbox"/> pump assembly
base plate	<input type="checkbox"/> by customer <input type="checkbox"/> movable <input type="checkbox"/> permanently fitted	

hopper version



hopper size	<input type="checkbox"/> standard size	<input type="checkbox"/> special
	_____ (inches)	

accessoires

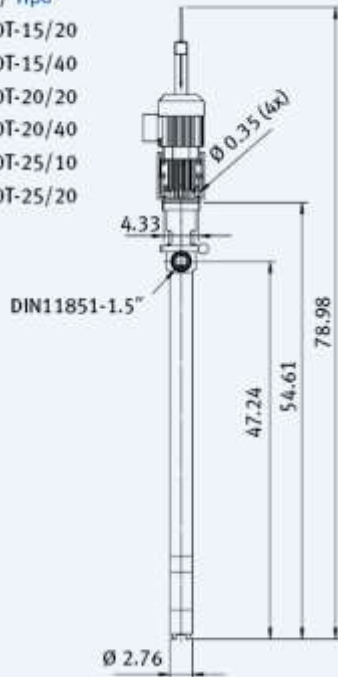
temperature control equipment	<input type="checkbox"/> yes	<input type="checkbox"/> no
pressure safty device	<input type="checkbox"/> yes	<input type="checkbox"/> no
heating	<input type="checkbox"/> yes	<input type="checkbox"/> no
	<input type="checkbox"/> hopper	<input type="checkbox"/> pump assembly
base plate in stainless steel	<input type="checkbox"/> by customer <input type="checkbox"/> movable <input type="checkbox"/> permanently fitted	

checklist – MX

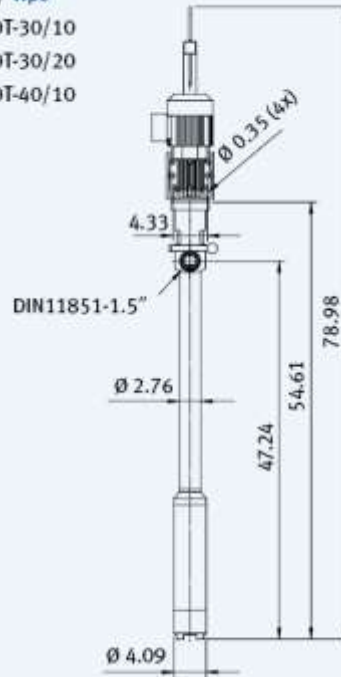


Submerged version

Type / Tipo
 MX20T-15/20
 MX20T-15/40
 MX20T-20/20
 MX20T-20/40
 MX20T-25/10
 MX20T-25/20



Type / Tipo
 MX20T-30/10
 MX20T-30/20
 MX20T-40/10

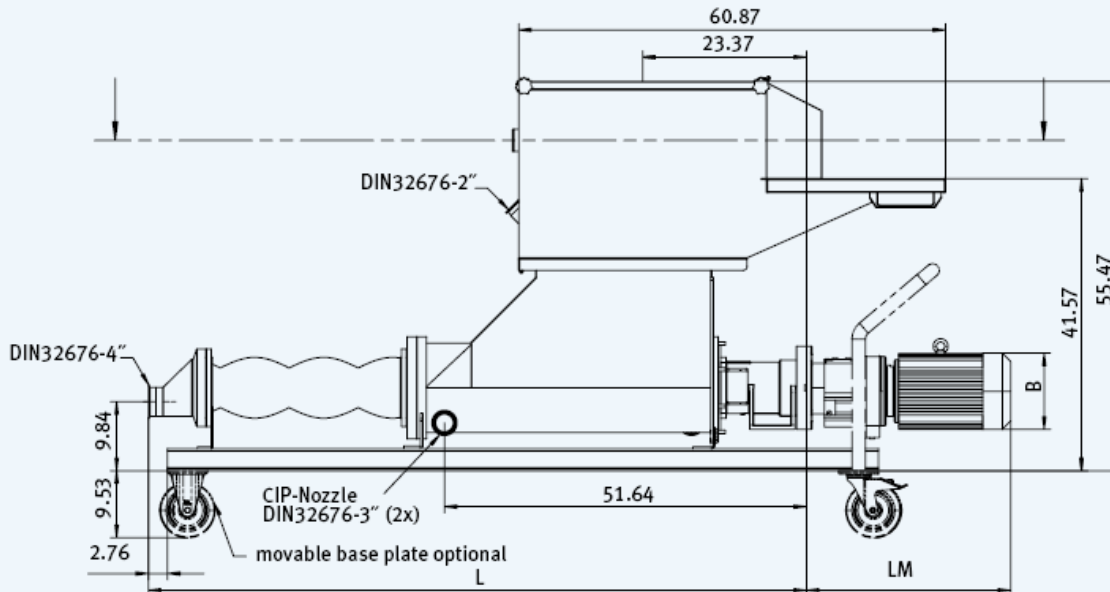


hanging equipment

stainless steel

steel, coated

plastification version



dimension of block goods (inches)

core temperature (° F)

accessoires

temperature control equipment

yes

no

pressure safety device

yes

no

heating

yes

no

hopper

pump assembly

base plate in stainless steel

by customer

movable

permanently fitted